

PH1410

Martillo Demoledor Pesado 10 Joules 1400W



Con
Detención
de Giro



Trabajos pesados
de perforado y demolición

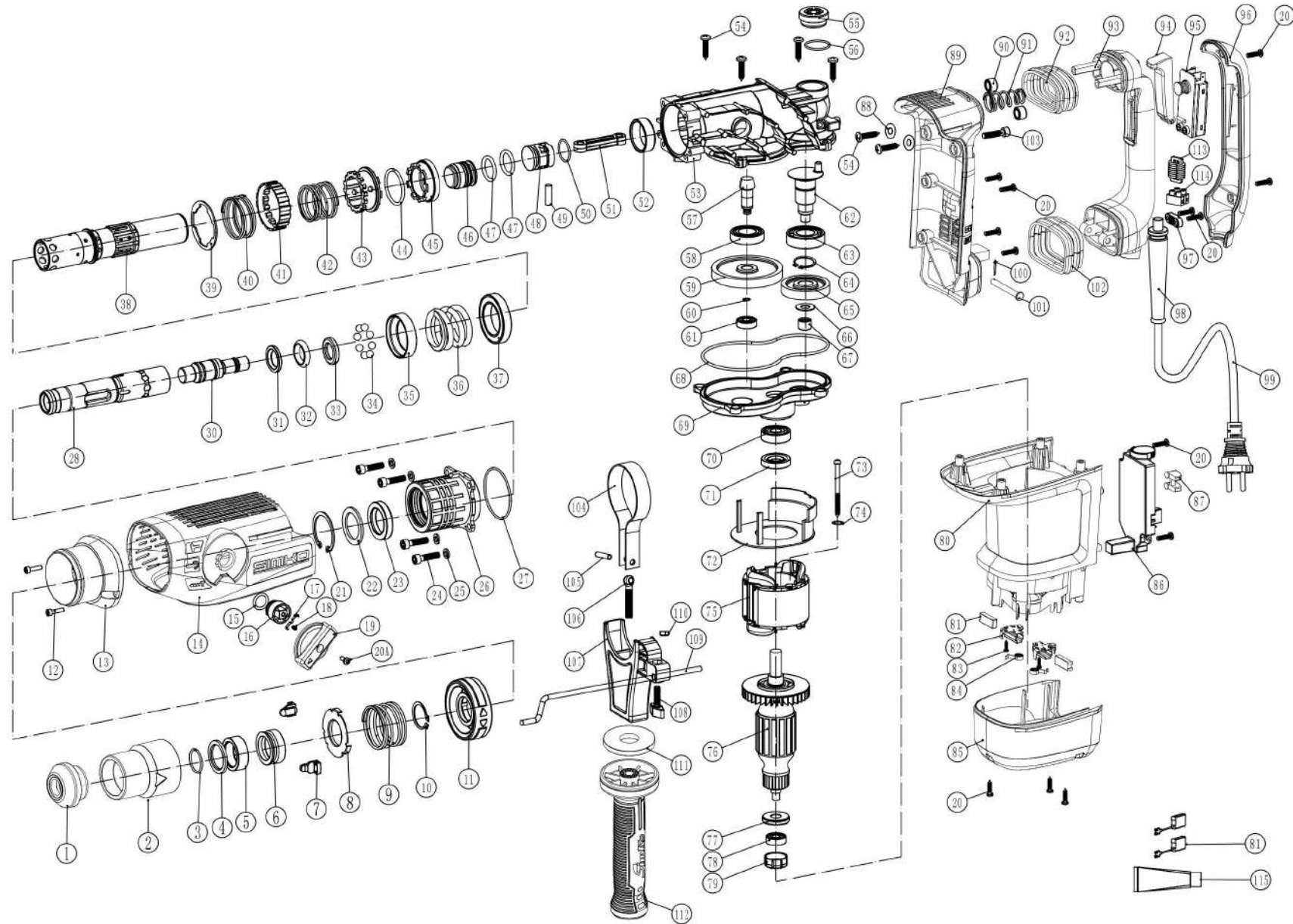
Ficha Técnica:

Potencia	1200 W
Alimentación	220V
RPM	235 - 541 1/min.
Impactos	1350 - 2950 1/min.
Fuerza de Percusión	10 Joules
Peso	6,800 kg.
Encastre	SDS Max

Incluye:

Maletín Porta-Herramienta.

ARGENTEC®
H E R R A M I E N T A S



Martillo Demoledor 10 Joules		PH1410	
PIEZA Nº	CÓDIGO	DESCRIPCIÓN	CANT.X MAQ.
1	PH1410001	BOQUILLA GOMA PH1410	1
2	PH1410002	BOQUILLA PLASTICA PH1410	1
3	PH1410003	ANILLO RETENCION Ø26 PH1410	1
4	PH1410004	ARANDELA SOPORTE PH1410	1
5	PH1410005	ANILLO FLEXIBLE GOMA PH1410	1
6	PH1410006	ANILLO RETENCION TRABAS PH1410	1
7	PH1410007	TRABAS HERRAMIENTA PH1410	2
8	PH1410008	PLACA SUFRIDERA RESORTE PH1410	1
9	PH1410009	RESORTE PH1410	1
10	PH1410010	ANILLO SEGURIDAD PH1410	1
11	PH1410011	ANILLO SELECTOR PH1410	1
12	PH1410012	TORNILLO M4×16 PH1410	2
13	PH1410013	TAPA CABEZAL PH1410	1
14	PH1410014	CABEZAL PH1410	1
15	PH1410015	ORING Ø13.94×Ø2.62 PH1410	1
16	PH1410016	BASE SELECTOR MODO PH1410	1
17	PH1410017	CLAVIJA PH1410	1
18	PH1410018	RESORTE CLAVIJA PH1410	1
19	PH1410019	PERILLA SELECTORA FUNCION PH1410	1
20	PH1410020	TORNILLO ST4.2×16 PH1410	13
20A	PH1410021	TORNILLO M4×12 PH1410	1
21	PH1410022	ANILLO RETENCION Ø42 PH1410	1
22	PH1410023	FIELTRO LANA Ø30×Ø42×3 PH1410	1
23	PH1410024	SELLO Ø30×Ø42×8 PH1410	1
24	PH1410025	BULON M6×25 (12.9) PH1410	4
25	PH1410026	ARANDELA PLANA Ø6×Ø10.5 PH1410	4
26	PH1410027	CARCASA ALUMINIO PH1410	1
27	PH1410028	ORING Ø54.5×Ø2.2 PH1410	1
28	PH1410029	EJE PORTAHERRAMIENTA PH1410	1
30	PH1410030	MASA IMPACTO PH1410	1
31	PH1410031	ANILLO IMPACTO PH1410	1
32	PH1410032	COJIN REDUCCION VIBRACION PH1410	1
33	PH1410033	ANILLO FIN CARRERA PH1410	1
34	PH1410034	BOLAS PH1410	8
35	PH1410035	ARANDELA TOPE RESORTE PH1410	1
36	PH1410036	RESORTE PH1410	1
37	PH1410037	RODAMIENTO 6907	1
38	PH1410038	CILINDRO PH1410	1
39	PH1410039	PLACA SUFRIDERA RESORTE PH1410	1
40	PH1410040	RESORTE TRINQUETE PH1410	1
41	PH1410041	ANILLO TRINQUETE PH1410	1
42	PH1410042	RESORTE EMBRAGUE PH1410	1
43	PH1410043	RESORTE PH1410	1
44	PH1410044	ANILLO ACERO Ø32 PH1410	1
45	PH1410045	RUEDA ENCASTRE PH1410	1
46	PH1410046	PISTON IMPACTO PH1410	1
47	PH1410047	ORING Ø21×Ø3.5 PH1410	2
48	PH1410048	PISTON PRINCIPAL PH1410	1
49	PH1410049	PERNO PISTON PH1410	1
50	PH1410050	ORING Ø22×Ø2 PH1410	1
51	PH1410051	BIELA PH1410	1
52	PH1410052	SELLO Ø32×Ø37×12 PH1410	1
53	PH1410053	CUERPO ALUMINIO PH1410	1
54	PH1410054	TORNILLO ST5.5×25 PH1410	8
55	PH1410055	TAPA TANQUE ACEITE PH1410	1
56	PH1410056	ORING Ø25.12×Ø1.78 PH1410	1

57	PH1410057	EJE C/ENGRANAJE PH1410	1
58	PH1410058	RODAMIENTO 6904	1
59	PH1410059	ENGRANAJE SALIDA PH1410	1
60	PH1410060	ORING $\Phi 6 \times \Phi 1$ PH1410	1
61	002002	RODAMIENTO 6000	1
62	PH1410062	CIGÜEÑAL PH1410	1
63	402002	RODAMIENTO 6004	1
64	PH1410064	ANILLO SEGURIDAD $\Phi 20 \times 1$ PH1410	1
65	PH1410065	ENGRANAJE CIGÜEÑAL PH1410	1
66	PH1410066	ARANDELA PLANA CIGÜEÑAL PH1410	1
67	PH1410067	RODAMIENTO HK101410 PH1410	1
68	PH1410068	JUNTA GOMA PH1410	1
69	PH1410069	TAPA CUERPO PRINCIPAL PH1410	1
70	002007	RODAMIENTO 6201	1
71	PH1410071	ORING $\Phi 17 \times \Phi 32 \times 7$ PH1410	1
72	PH1410072	DEFLECTOR VENTILACION PH1410	1
73	PH1410073	TORNILLO ST4.8x58 PH1410	2
74	PH1410074	ARANDELA PLANA $\Phi 5$ PH1410	2
75	PH1410075	ESTATOR PH1410	1
76	PH1410076	ROTOR C/VENTILADOR PH1410	1
77	PH1410077	INDUCTOR MAGNETICO PH1410	1
78	002004	RODAMIENTO 608	1
79	PH1410079	ANILLO RODAMIENTO PH1410	1
80	PH1410080	CUERPO PLASTICO PH1410	1
81	PH1410081	ESCOBILLA (JUEGO) PH1410	1
82	PH1410082	PORTAESCOBILLA PH1410	2
83	PH1410083	TORNILLO ST3.5x16 PH1410	4
84	PH1410084	RESORTE ESCOBILLA PH1410	2
85	PH1410085	TAPA CUERPO INFERIOR PH1410	1
86	PH1410086	REGULADOR VELOCIDAD PH1410	1
87	PH1410087	INDICADOR ESTADO PH1410	1
88	PH1410088	ARANDELA PLANA $\Phi 5.5 \times \Phi 14 \times 1.6$ PH1410	2
89	PH1410089	BASE MANGO PRINCIPAL PH1410	1
90	PH1410090	BUJE ABSORCION IMPACTO PH1410	2
91	PH1410091	RESORTE ABSORCION PH1410	1
92	PH1410092	FUELLE PH1410	1
93	PH1410093	MANGO PRINCIPAL PH1410	1
94	PH1410094	TECLA INTERRUPTOR PH1410	1
95	PH1410095	INTERRUPTOR CONEXIÓN PH1410	1
96	PH1410096	TAPA MANGO PH1410	1
97	PH1410097	PRENSA CABLE PH1410	1
98	PH1410098	BOQUILLA PH1410	1
99	PH1410099	CABLE SALIDA PH1410	1
100	PH1410100	ESPINA ELASTICA $\Phi 2 \times 14$ PH1410	1
101	PH1410101	ESPINA MAZISA $\Phi 6 \times 50$ PH1410	1
102	PH1410102	FUELLE PH1410	1
103	PH1410103	BULON M6x20 PH1410	2
104	PH1410104	ABRAZADERA MANGO AUXILIAR PH1410	1
105	PH1410105	PERNO PH1410	1
106	PH1410106	TUERCA ESPECIAL PH1410	1
107	PH1410107	CUERPO MANGO AUXILIAR PH1410	1
108	PH1410108	MARIPOSA PH1410	1
109	PH1410109	VARILLA PROFUNDIDAD PH1410	1
110	PH1410110	TUERCA M6 PH1410	1
111	PH1410111	ARANDELA ESPECIAL PH1410	1
112	PH1410112	MANGO AUXILIAR PH1410	1
113	PH1410113	SENSOR ENERGIA PH1410	1
114	PH1410114	CONECTOR PH1410	2